

The VNR in a Nutshell – National Strategies for SDGs.

Benin

Capital	Porto-Novo
Population	10,008,749
Area (in sq. km)	114,763
Language(s)	French
National poverty line	36.5 (2015)
Human Development Index	0,480 (Rank 167)
Gross national income (GNI) per capita	1,747
International Tourist Arrivals	242,000

Sources: UNDP, The World Bank



The recognition of the role of tourism in sustainable development and the emphasis placed in the SDGs on the development of public policies for sustainable tourism is a landmark breakthrough that provides a unique opportunity for all governments to create a sound and favourable policy foundation.

The first two years of the implementation of the 2030 Agenda have shown that countries are making headway in aligning national strategies, adapting institutional frameworks and adjusting policies to realize the SDGs.

The countries' efforts have been reported in the Voluntary National Reviews (VNRs), presented by UN Member States during the High-level Political Forum on Sustainable Development (HLPF) in 2016 and 2017.

Title of VNR: Contribution Nationale Volontaire à la mise en oeuvre des ODD au Forum Politique de Haut Niveau New-York, Juillet 2017

Presenter for VNR: Abdoulaze BIO TCHANE, Minister of State in charge of Plan and Development

National Thematic Focus: The priority targets remain linked to poverty and inequality, childhood, social capital, human capital, standard of living, water and energy, economic diversification, sustainable land management, climate change, gender and good governance. (p.vii)

Institutional Arrangement:

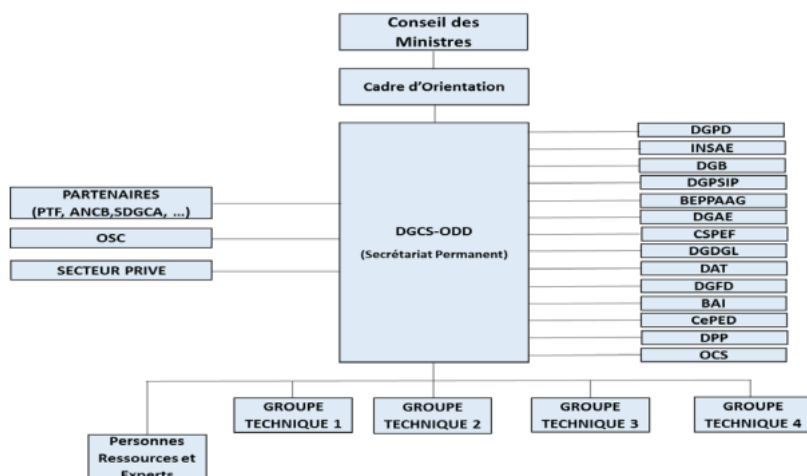
The implementation framework in Benin is overseen by the **Directorate General for the Coordination and Monitoring of the Sustainable Development Goals** (DGCS-ODD) which reports directly to the **Minister of State for Planning and Development**. Two committees share responsibilities for the coordination and monitoring of the SDGs.

1. The **Orientation Committee** informs decision-makers at the national and minister level of the action plans designed by the DGCS-ODD. It is also tasked with securing adequate resources for the implementation of said plans. It is composed of members of Government, technical and financial partners, and civil society representatives. It is presided by the Minister of State for Planning and Development, who reports to the President during the Council of Ministers. The Orientation Committee is convened once every trimester, and must produce an assessment of the reports submitted by the Technical Piloting Committee.
2. The **Technical Piloting Committee** analyses and consolidates sectoral assessments of SDG implementation efforts. It is composed of technical and operational leaders from the public administration, technical and financial partners, civil society organizations, and the private sector. Its activities are coordinated by the DGCS-ODD, who serves as its permanent Secretariat.

The **Ministry of Planning and Development** conducts a twice-annual review of the implementation of the prioritized SDGs targets. This allows participating parties to share milestones, difficulties, and experiences. At the

end of each year, the DGCS-ODD drafts an assessment of the implementation and monitoring of prioritized SDGs, submits for review to the Minister of State for Planning and Development.

The Ministry of Planning and Development (MPD) through the General Direction of Coordination and Monitoring of the SDGs (DGCS-ODD) (p.4) is leading the contribution for VNR. Furthermore, technical and financial partners have supported the process of preparation of the voluntary national contribution including UNDP and FAO.



Benin has put in place a mechanism for coordination and monitoring evaluation, which will take particular account of the SDGs. The steering committee and the technical steering committee coordinate this mechanism and the evaluation with the help of technical and financial partners (PTFs), the civil society (OSC) and the private sector.

SDG Incorporation to National Framework:

Benin has issued a national report on prioritization of SDG targets. In total, 49 SDG targets were selected as priorities, along with 80 associated indicators.

This prioritization roadmap will inform the National Development Plan (PND) 2018-2025 currently under development. Its operationalization document, the Growth Programme for Sustainable Development (PC2D), establishes a framework for strategies and partnerships designed to promote economic and sustainable growth over the next four years.

In nationalization process, Benin have divided the SDGs into 4 sectors with 49 priority targets:

- Social framework: human capital (SDGs 1 to 6)
- Economic framework: strong and inclusive growth (SDGs 7 to 11)
- Environmental framework: environment (SDGs 12 to 15)
- Institutional framework: Peace (SDG 16)

The results of the 49 targets will be used to feed the reflections on the updating of the various documents of planning and programming the development. These results will also serve to feed the development of the new National Development Plan 2018-2025 and its document of operationalization that is the Growth Program for Sustainable Development.

Tourism Ministry /NTA portfolio: Ministry of Culture Arts and Tourism

<http://www.tourismebenin.bj/>

Tourism and SDG in the destination:

Opportunities

- **Employment creation**



In Benin, the promotion of local products for tourism is important for the realization of SDG 8, the target 8.9 on tourism (together with 8.3. and 8.5) which in turn will be able to create employment

Resources and Useful Links: [Benin VNR 2017](#)